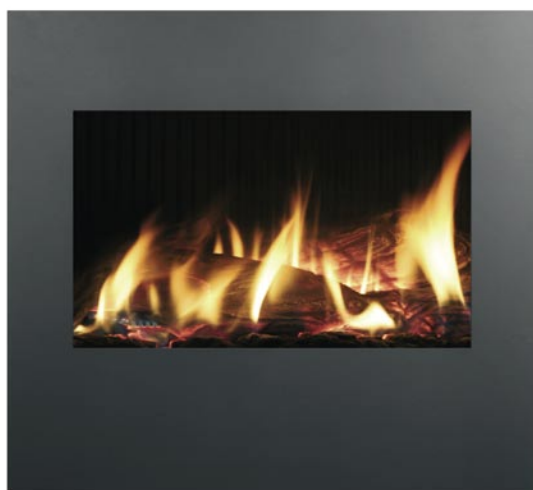


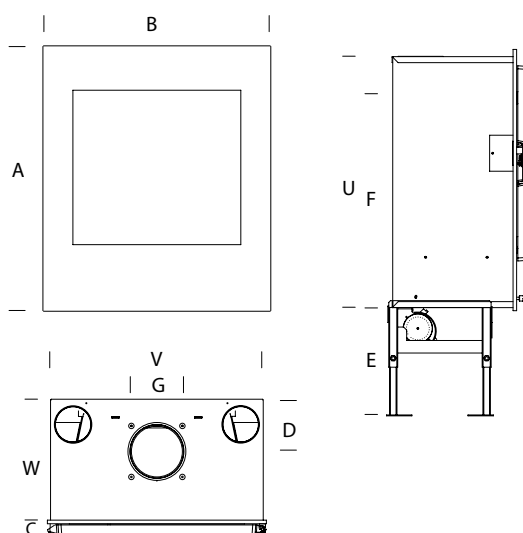
The minimalist form of the IF model is the perfect frame for the most impressive gas fire on the market.

The height of the IFH model brings even more radiant warmth to your home. The fascia attached to the cast-iron inner door is available in graphite or nickel, so you can tailor the insert to suit your personal taste.

In addition to the comforting radiant heat they generate, Nestor Martin inserts can distribute their warmth throughout the home. Along with the integrated fans, every Nestor Martin insert is equipped with two hot air outlets which allow you to channel the warmth of the stove into other rooms. Up to four meters of flexible tube can be used to reach even rooms located on an upper floor of the house.



IF45 - Graphite



MODEL	IF45	IFH35	IFH45
AxBxC (mm)	705x760x62	939x615x62	885x760x62
UxVxW	672x690x403	912x560x357	852x692x403
D (mm)	179	156,5	183,5
F (mm)	541	783	721
G Ø int. (mm)	175	175	175
Window dimensions (mm)	335x560	566x415	515x560
Weight (kg)	95	98	100
Max. heat output (kW)	8,9	8,7	10,7
Heating Capacity (m ³)*	115	110	135
Efficiency (%)	87	87	87
Certification	HR+ / EN613	HR+ / EN613	HR+ / EN613
Hot air outlets	2x Ø 125 mm	2x Ø 125 mm	2x Ø 125 mm
Adjustable legs	ja	ja	ja
E: Leg height (min-max)	210-360	210-360	210-360
Number of fans	2 (optie)	1 (optie)	2 (optie)

* Approximate heating capacity, based on average insulation